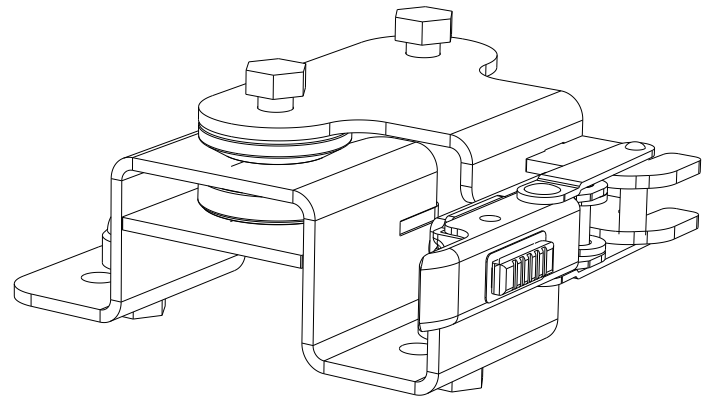
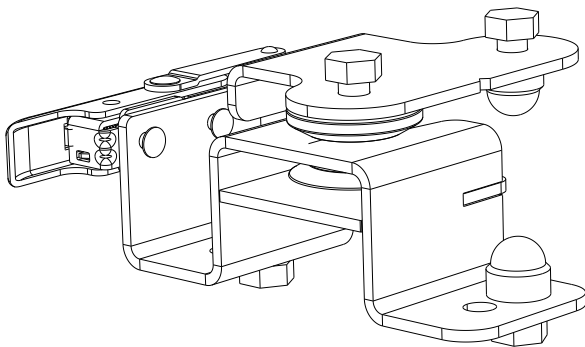


FRONT RUNNER

QUICK RELEASE TENT MOUNT KIT 2 PIECE

ENG

TBMK019
TBMK020
TBMK021



READ ME !

Thank you for purchasing a Front Runner Quick Release Tent Mount Kit.
Before you start, take a moment to familiarize yourself with the Fitting Instructions and the components received.
Refer to Page 2 for a list of all the components, quantities and tools required.

IMPORTANT WARNING!

IT IS CRITICAL THAT ALL FRONT RUNNER PRODUCTS BE PROPERLY AND SECURELY ASSEMBLED AND ATTACHED TO YOUR VEHICLE. IMPROPER ATTACHMENT COULD RESULT IN AN AUTOMOBILE ACCIDENT, AND COULD CAUSE SERIOUS BODILY INJURY OR DEATH. YOU ARE RESPONSIBLE FOR ASSEMBLING AND SECURING ALL FRONT RUNNER PRODUCTS TO YOUR VEHICLE, CHECKING THE ATTACHMENTS PRIOR TO USE, AND PERIODICALLY INSPECTING THE PRODUCTS FOR ADJUSTMENT, WEAR AND DAMAGE. THEREFORE, YOU MUST READ AND UNDERSTAND ALL OF THE INSTRUCTIONS AND PRECAUTIONS SUPPLIED WITH YOUR FRONT RUNNER PRODUCT PRIOR TO INSTALLATION OR USE. IF YOU DO NOT UNDERSTAND ALL OF THE INSTRUCTIONS AND CAUTIONS, OR IF YOU HAVE NO MECHANICAL EXPERIENCE AND ARE NOT THOROUGHLY FAMILIAR WITH THE INSTALLATION PROCEDURES, YOU SHOULD HAVE THE PRODUCT INSTALLED BY A PROFESSIONAL INSTALLER OR OTHER QUALIFIED PERSONNEL.

NOTE: Front Runner will not be responsible for any damage caused by the failure to install the product according to these instructions.
Please call us if you have any questions about the installation of this product.

1

GET ORGANIZED

IN THE BOX

1	2 X	Latch Plate - 1LH & 1RH
2	2 X	Catch Plate - 1LH & 1RH
3	2 X	Bobbin Female
4	2 X	Bobbin Male
5	6 X	M8 x 20 Hex Bolt
6	6 X	M8 x 35 Hex Bolt
7	6 X	M8 Nut Cap
8	8 X	M8 Nyloc Nut

TOOLS NEEDED



13MM



13MM

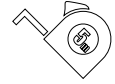
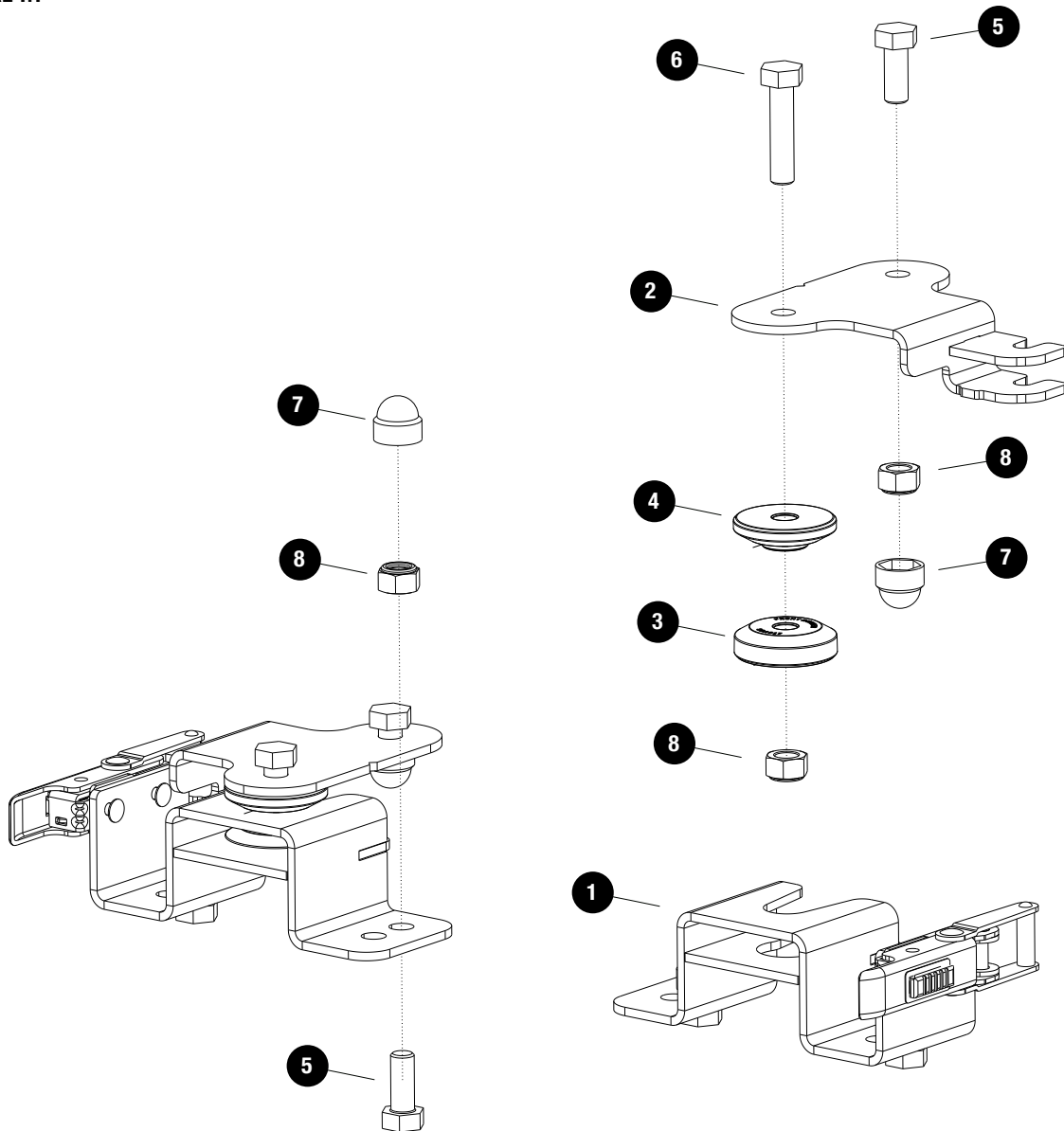


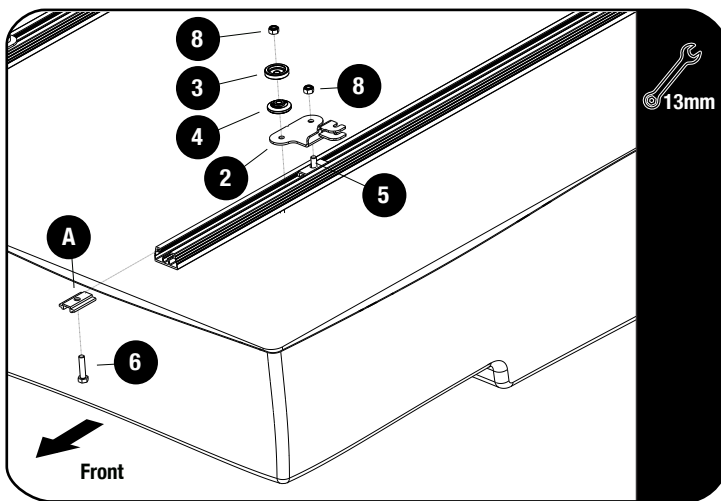
FIGURE 1.1



2

FIT AND SECURE

2.1



Depending on the orientation of the tent opening the tent channels may need to be rotated.

Assemble the Catch, Male Bobbin & Female Bobbin (Items 2, 3 & 4) to the tent using M8 x 35 Hex Bolt, M8 x 20 Hex Bolt and M8 Nyloc Nuts (Items 5, 6 & 8), do not fully tighten.

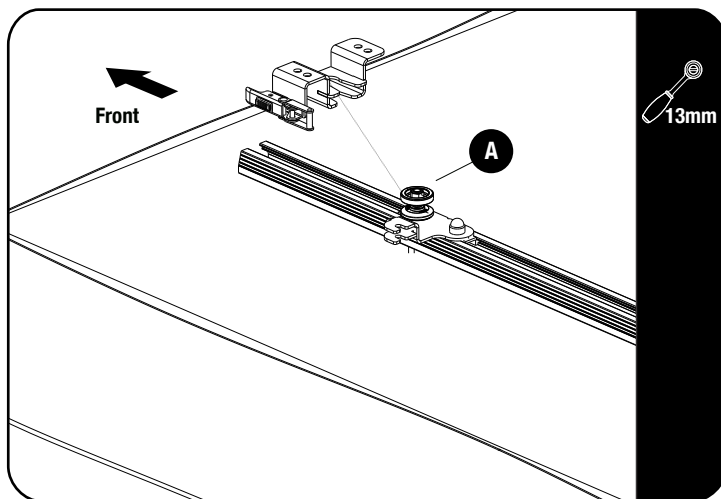
A Tent Channel Plates supplied with Front Runner Roof Top Tent (Tent031).

Additional Tent Channel Plate sets may be required for other tent models.

James Baroud - TBMK013 (Sold Separately).

Autohome - TBMK014 (Sold Separately).

2.2

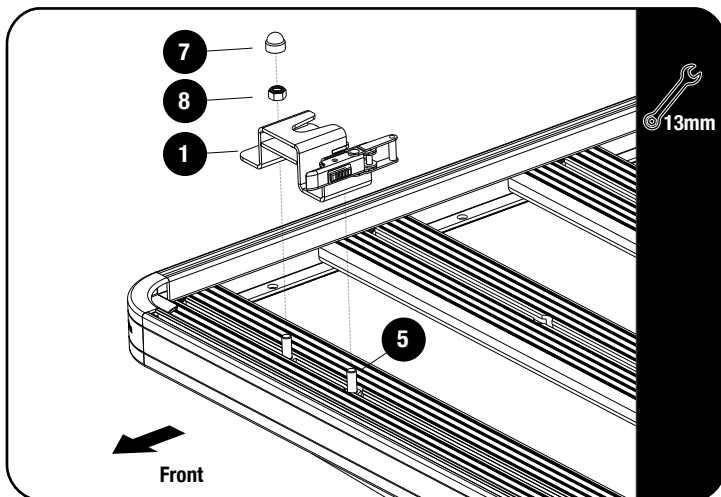


Slide the Latch Plate (Item 1) onto the Bobbin Assembly.

Check For excess movement and tighten nut (A) to reduce / remove any excess movement.

Remove the Latch Plate (Item 1), it should be snug but still removed with ease.

2.3



Taking into account the length and width of your tent, choose where you'd like to position it on the rack. This will determine where you need to fit the Latch Plates (Item 1).



Where possible use the combined slats to mount the brackets. If this is not possible then a slat with a leg or foot installed.

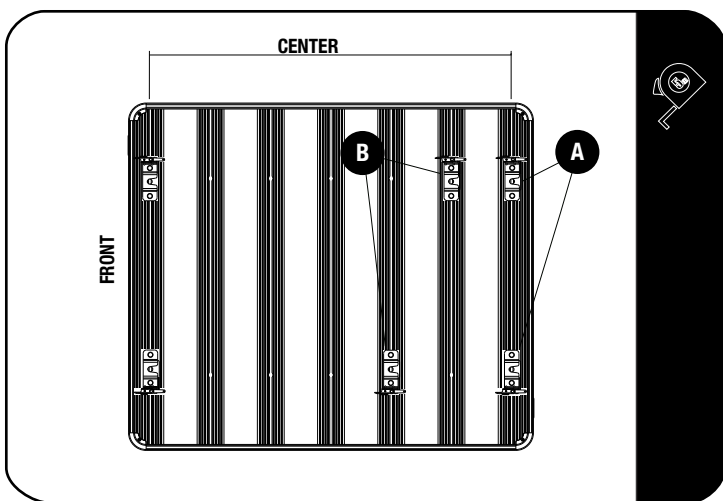
Loosely fit the Latch Plates to the rack using M8 x 20 Hex Bolts and M8 Nyloc Nuts (Items 5 & 8).

Note the position of the Latch Plates and the Latch orientation. Make sure that the closed side of the Mount Brackets are facing toward the front of the rack and that they are parallel to the side of the rack.

2

FIT AND SECURE

2.4

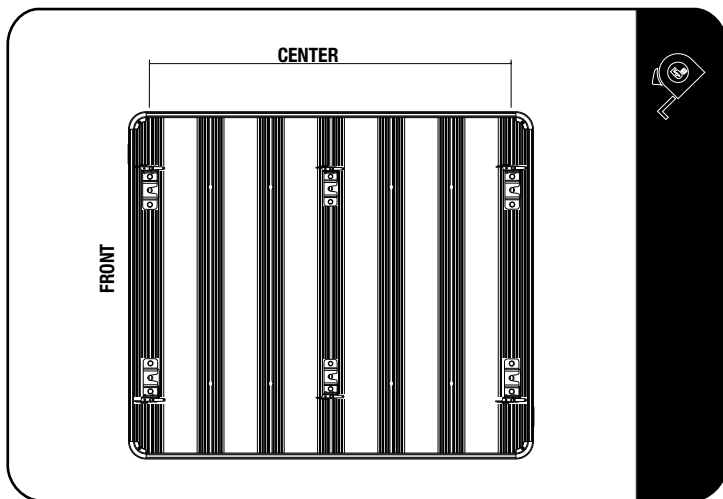


Measure the distance between the center points of the Latch Plates. You will need this measurement for tightening the Catch Plate assembly to the tent channel in step 2.6.

Where possible the Brackets should be fitted to a combined Slats (A).

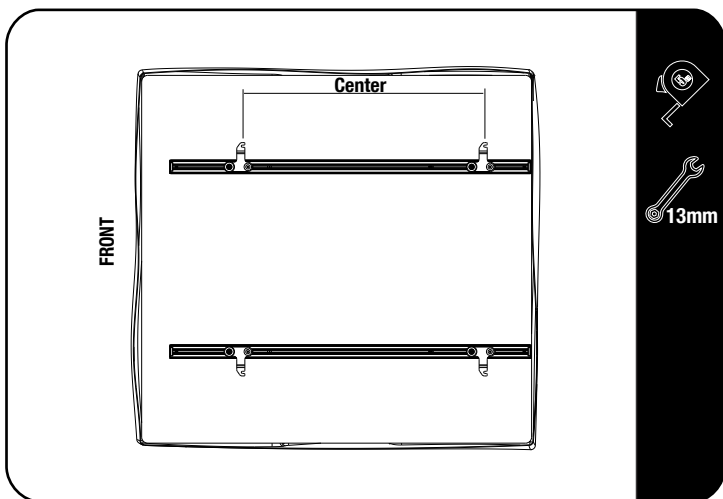
If the tent mouting channel length does not allow this, the brackets should be staggered (B).

2.5



For larger & heavier tents additional mounting brackets may be required.

2.6



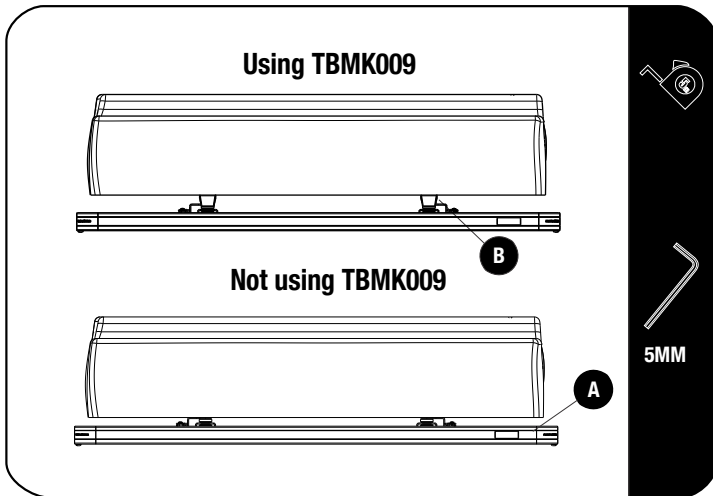
Measure the distance between the centers of the channel feet to make sure it matches the position of the Rack Mount Brackets installed in Step 2.3.

Once the measurements have been confirmed, fully tighten the Catch Bracket assembly to the tent channel.

2

FIT AND SECURE

2.7

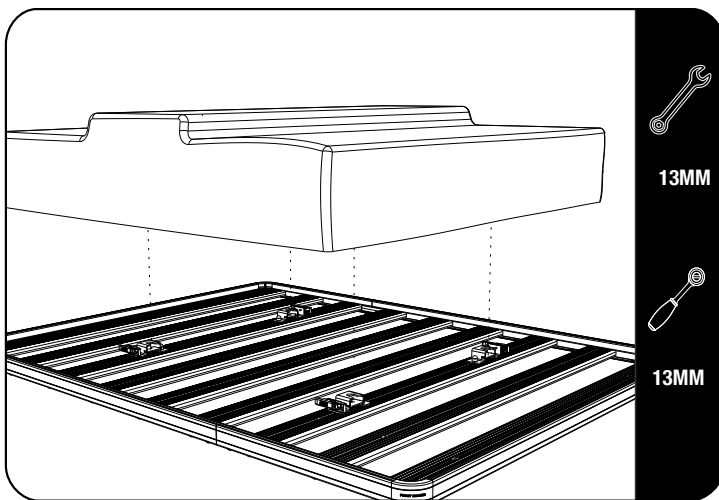


Some hard shell tents may need additional support, such as James Baroud, Ikamper & Autohome.

Hard Shell Tent Support Channels by Front Runner (B) sold seperately.

Depending on the tent manufacturer, your hard shell tent warranty may be voided if your tent is damaged and you did not provide proper lateral support for the hard shell tent.

2.8



Flip the tent over and lower it onto the rack making sure the Bobbins align with the Rack Mount Brackets.

Push the tent forward so that the Bobbins slide fully into the Latch Plates.

Latch all 4 Latches to secure the tent into the brackets.

3

FINISH

Congratulations! You did it. Take a step back and admire your work!

4

INSTALL OTHER VEHICLE AND RACK ACCESSORIES

Now's the time to visit your favorite Front Runner Dealer in person or online.

Be sure to tag us. We love to see our gear in action! #FrontRunnerOutfitters #BornToRoam

Share your adventures on: 